

110mm

210mm

Restrictions in :  
UK | RU | IE | UA | VA | BY | EE | LV | LT | MD

Innopia Technologies , inc .  
manufactured by sangdaewon-dong, A-405, 215, Galmachi-ro, Jungwon-gu, Seongnam-si, Gyeonggi-do, Republic of Korea

### Device : Shaks G1

- HDMI port**  
Connect to the TV by using the HDMI cable.
- USB-C port**  
Connect to the power adapter using the USB cable.
- Status notification LED**  
LED indicates the status of Shaks G1.  
Blinking LED : Shaks G1 booting  
LED turned on : Shaks G1 operating  
Bluetooth pairing : clicking LED button for BT pairing mode.

### Device Specifications

Category	Specifications
Model name	M800A
Power supply (AC/DC)	C-Type, DC 5V/1A
Product size	70(W) x 70(L) x 15(H)mm
System	Android™ 12 for TV
Network WLAN	Wi-Fi 5 802.11 a/b/g/n/ac, 2.4GHz/5G Hz Dual Band, 2T2R
RF output	10mW/Mhz or less
Operating conditions	0°C~45°C / 80%
Bluetooth	Bluetooth 5.0
Memory	DDR4 2GB
Video / Audio	HDMI 2.1 4K x 2K@60Hz with CEC/ HDCP 2.3
Remote	IR / BT
A/S	1 year after product purchase

**Dolby Vision Dolby Audio**

Manufactured under license from Dolby Laboratories. Dolby, Dolby Audio™, Dolby Vision® and the double-D symbol are registered trademarks of Dolby Laboratories Licensing Corporation.

**HDMI™**

The terms HDMI, HDMI High-Definition Multimedia Interface, HDMI Trade dress and the HDMI Logos are trademarks or registered trademarks of HDMI Licensing Administrator, Inc.

\* Google TV is the name of this device's software experience and a trademark of Google LLC. Google and Android are trademarks of Google LLC.

## User Manual

### WHAT'S IN THE BOX

Please confirm all products and components are contained in the box. Should there be defective or missing products, please contact the retailer where you purchased the product.

Remote Control & AAA Battery x 2

M800A

Manual

HDMI Cable

USB-C Type Cable

Power adaptor (Optional)

Mount bracket (Optional)

※ The USB cable in the box is only recommended for Shaks G1 products. Combining other exterior cables or other materials may cause functional problems. Using other USB-C-type cables, HDMI cables, and power adapters may also negatively affect the device.

1

2

3

4

**\*NOTE**

1. Unfolded Dimensions: 210x110mm
2. Folded Dimensions: 70x110mm
3. Tolerance: +/- 1mm
4. Donut marks are IQC key dimension
5. RoHS requirement

Wood-free paper 105g, Black print, 210x110mm, Zigzag-Fold

———— CUT LINE (Do not print)  
 - - - - FOLD LINE (Do not print)  
 ———— DIMENSION LINE (Do not print)

110mm

### Connecting the device

Proceed to install the device by connecting the cables and accessories as shown below.

- 1 Connect the USB cable to the device and the power adapter.
- 2 Connect the device to the TV with the HDMI cable.
- 3 We recommend that you use an adapter that meets your specification.

※ Using the TV's USB port to power the device is NOT recommended.

### Safety

This is for users' safety and to prevent damage. Please read the following carefully and use the device in the right way.

**CAUTION** Misuse or unethical way of using the device may cause electric shock or damage to properties.

- Be sure to use the cable that comes with the product for the power cable
- Do not touch the power plug with wet hands.
- Do not install in places where there is a lot of moisture or dust and where the temperature is high.
- Do not use multiple devices simultaneously in one outlet.
- Do not turn off the device while it is updating the system.
- Unplug the device in case of strong lightning or thunder, and when you are not using the device for a prolonged period of time.

### Connecting the remote

Once the remote pairing menu appears on the screen, press both the home button and back button at the same time for 5 seconds on the first screen.

Once the pairing of the remote is complete, a message will appear on the screen.

**Hey Google**  
Press the Google Assistant button for 2 seconds.

Ask Google Assistant to find movies, stream apps, play music, and control the TV - all with your voice. Even get answers, control smart home devices, and more.

### Connecting remote and other accessories

Once the devices initial setup is complete, following the steps below to connect additional bluetooth devices such as game controllers or ear-phones.

Settings -> Scroll down -> Click "Remote Control and Accessories". Then, proceed to pair the desired device by selecting "Accessory pairing".

### FCC Information to User

This equipment has been tested and found to comply with the limits for a Class B digital device, pursuant to Part 15 of the FCC Rules. These limits are designed to provide reasonable protection against harmful interference in a residential installation. This equipment generates, uses and can radiate radio frequency energy and, if not installed and used in accordance with the instructions, may cause harmful interference to radio communications. However, there is no guarantee that interference will not occur in a particular installation. If this equipment does cause harmful interference to radio or television reception, which can be determined by turning the equipment off and on, the user is encouraged to try to correct the interference by one of the following measures:

- Reorient or relocate the receiving antenna.
- Increase the separation between the equipment and receiver.
- Connect the equipment into an outlet on a circuit different from that to which the receiver is connected.
- Consult the dealer or an experienced radio/TV technician for help.

**Caution**  
THE GRANTEE IS NOT RESPONSIBLE FOR ANY CHANGES OR MODIFICATIONS NOT EXPRESSLY APPROVED BY THE PARTY RESPONSIBLE FOR COMPLIANCE. SUCH MODIFICATIONS COULD VOID THE USER'S AUTHORITY TO OPERATE THE EQUIPMENT.

**IMPORTANT NOTE : FCC RF Radiation Exposure Statement**  
This equipment complies with FCC RF radiation exposure limits set forth for an uncontrolled environment. This equipment should be installed and operated with a minimum distance of 20 centimeters between the radiator and your body. This transmitter must not be co-located or operating in conjunction with any other antenna or transmitter.

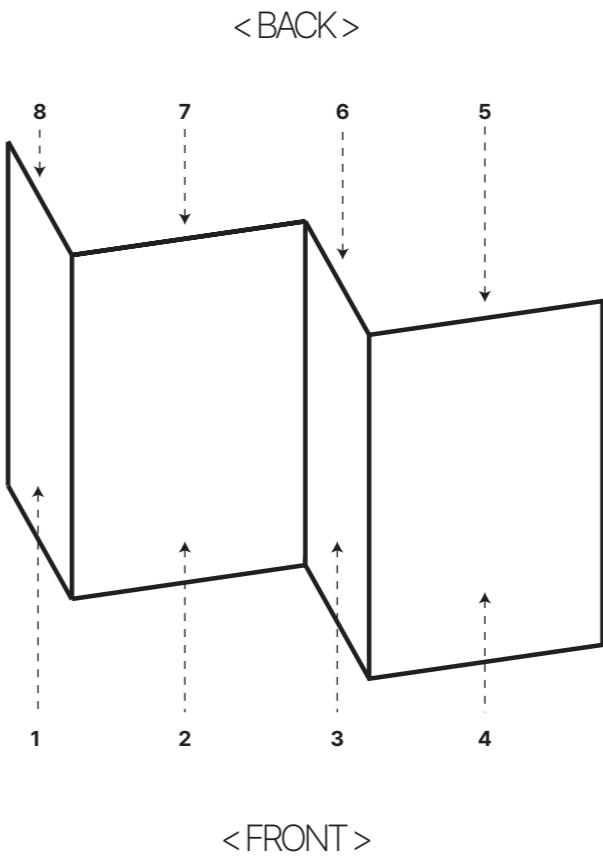
This device complies with part 15 of the FCC Rules. Operation is subject to the following two conditions:  
 (1) This device may not cause harmful interference, and (2) this device must accept any interference received, including interference that may cause undesired operation of the device.

5

6

7

8



	0.00	00.00.00	-				
REV.	DATE	REMARK					
	JEONG 23.09.01	KWAK 23.09.01					
DESIGNED	CHECKED	APPROVED					
MODEL	M800A						
PART NAME	MANUAL_M800A						
PART CODE	TBD						
<b>INNOPIA</b>							SCALE 1:1